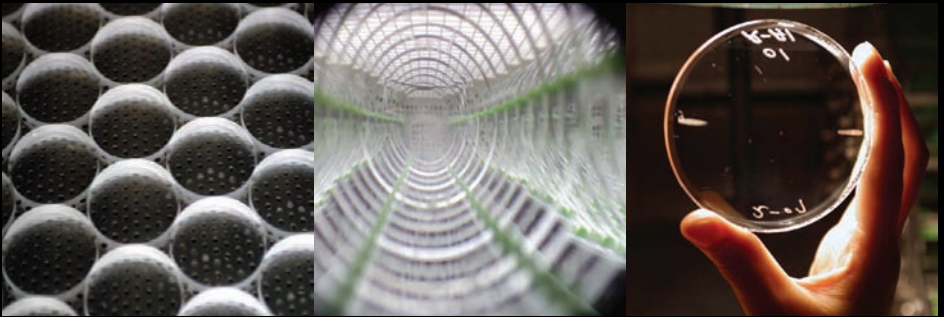




# SEMI-FINISHED LENS GUIDE

*Product & Technical Guide*



# Company Profile

## Company Name

SOMO OPITCAL Co., Ltd.

## CEO

Chairman Shin JoonSoo

## Founded

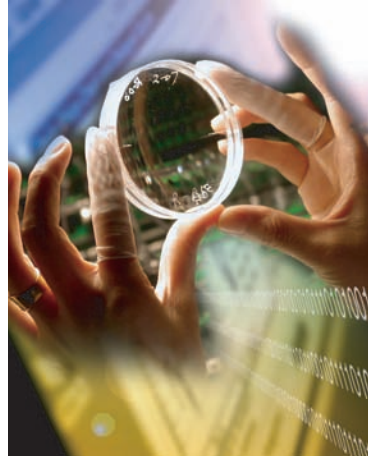
August 31, 1991

## Business Area

Manufacture and Distribution of Plastic Ophthalmic Lens

## Employee

250 persons



## Head Office

SOMO Bldg., #984-1, Daechi-dong,  
Kangnam-ku, Seoul 135280 Korea



## Factory

#652, Changbong-ri, Kongkeun-myeon,  
Hoengseong-kun, Gangwon Province 225-870 Korea

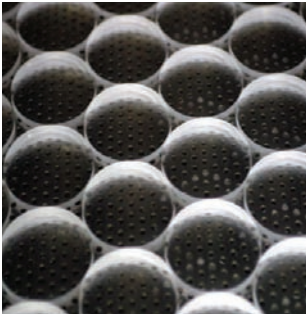
# How we make quality lenses

## Global Network:

SOMO offers quality lens product through a worldwide distribution network. Our main distribution branches are located in Seoul (Korea), Los Angeles (USA), Frankfurt (Europe), Beijing (China), Shanghai (China), and Osaka (Japan). Our worldwide customers enjoy high quality lenses, timely supply and competitive pricing. SOMO has technical innovation and customer-oriented services to serve customers all over the world.

## Unique process and technology:

Our manufacturing facility is located 60 minutes from Seoul, Korea. We use the most up-to-date technology to create the world's finest ophthalmic lenses. With over 250 dedicated employees, we incorporate a unique one-line process system. At SOMO, it's all about you.



### MOLD PROCESS

SOMO produces and handles the lens mold-making process: Processing - Slumping - Hardening with SOMO's unique Aspheric designs.



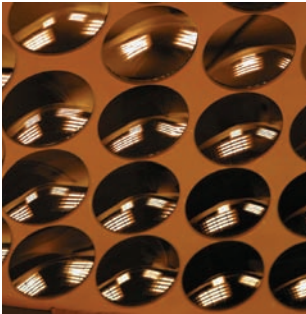
### CASTING PROCESS

SOMO produces and handles the complete casting process: Assembling - Mixing - Filling - Pre-curing - Releasing - 1st Cleaning - Post-Curing - 2nd Cleaning - Supersonic Cleaning.



### HARDCOATING PROCESS

Using unique technology, SOMO creates superior hard coat and cushion coating chemistry for the ultimate scratch resistant lenses.



### AR COATING PROCESS

Every step in our innovative AR Process to optimize AR quality and scratch resistance. The result is an integrated and index-matched optical system for exceptional performance.



### FINAL PROCESS

SOMO technicians carefully inspect every single lens to ensure you receive high quality lenses. Our integrated inventory system provides computerized inventory control models to give you the highest possible fill-order rates.



### ABOUT OUR LAB

SOMO has more than 10 years of lens manufacturing and AR coating experience. Our technicians and engineers follow strict testing and process controls to ensure you receive the highest quality product possible.

AT SOMO,

COLTS Laboratories, an independent testing facility, has awarded SOMO Optical the COLTS Seal of Approval.

IT'S ALL

SOMO has received COLTS Certification based upon quality achievements with several COLTS testing procedures:

ABOUT YOU.

- Real Life Simulating Index
- Bayer Abrasion
- Cycle Humidity/Oven Cross-Hatch Adhesion
- Spectral Analysis

QUALITY AND

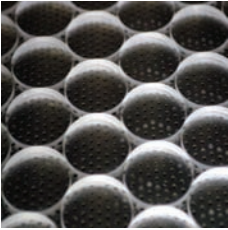
The COLTS performance seal validates that SOMO lenses will deliver consistent product performance and quality that you can depend on.

PERFORMANCE

YOU CAN



DEPEND ON.




---

## 1.74 SEMI-FINISHED

Spherical Design 6

---

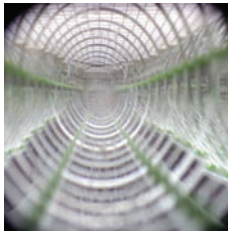
## 1.67 SEMI-FINISHED

Aspheric Design 7

Spherical Design 8

Flat Top 28 9

---

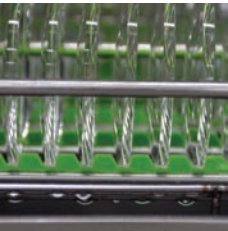


## 1.60 SEMI-FINISHED

Aspheric Design 10

Spherical Design 11

---



## POLYCARBONATE SEMI-FINISHED

Aspheric Design 12

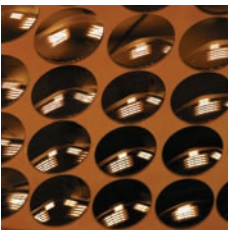
Spherical Design 13

Flat Top 28 14

EZ-View Standard 15

EZ-View Mini 16

---



## 1.56 SEMI-FINISHED

Aspheric Design 17

Spherical Design 18

Flat Top 28 19

---

## 1.74 Super Hi-Index Spherical SFSV Lens



### Specifications

- Spherical Design
- MR-174 Material
- 1.74 Refractive Index
- 1.47 Specific Gravity
- 33 Abbe Value
- 99.5% Visible Light Transmittance
- 100% UV Protection at 400nm

### Availability

- Non-coated
- Scratch-resistant Hard Coating

- **DESIGNED WITH TRUE CURVE SPECIFICATIONS FOR FREEFORM PROCESSING**

### SOMO Spherical Semi-Finished Single Vision 1.74 Hardcoat

- Ultra Thin and Lightweight
- 50% Thinner and 50% Lighter than CR-39 Plastic Lenses
- 27% Thinner than Polycarbonate
- 15% Thinner than 1.67 Index
- Minimize Distortion at Edge of Lens for the Best Possible Vision
- Ultimate Lens Design Technology
- Best Cosmetics by Reducing “EYE SHRINKING” Appearance from High Powered Prescription

BASE	SIZE (mm)
1.00	75
2.00	75
3.00	75
4.00	75
5.00	70
6.00	70
7.00	70
8.00	65
9.00	65
10.00	65



## Specifications

- Aspherical Design
- MR-7 Material
- 1.67 Refractive Index
- 1.35 Specific Gravity
- 32 Abbe Value
- 100% UV Protection at 400nm
- Scratch Resistant Hardcoat

## SOMO Aspherical Semi-Finished Single Vision 1.67 Hardcoat

- Hi-Index
- Scratch-resistant Coat



BASE	SIZE (mm)
0.50	70
2.25	70
4.25	70
6.25	70
8.25	70



## 1.67 Hi-Index Spherical SFSV Lens



### Specifications

- Spherical Design
- MR-7 Material
- 1.67 Refractive Index
- 1.35 Specific Gravity
- 32 Abbe Value
- 100% UV Protection at 400nm

### Availability

- Non-coated
- Scratch-resistant Hard Coating

- **DESIGNED WITH TRUE CURVE SPECIFICATIONS FOR FREEFORM PROCESSING**

## SOMO Spherical Semi-Finished Single Vision 1.67 Hardcoat

- Hi-Index
- Scratch-resistant Coat



BASE	SIZE (mm)
1.00	75
2.00	75
3.00	75
4.00	75
5.00	75
6.00	75
7.00	70
8.00	65
9.00	65
10.00	65



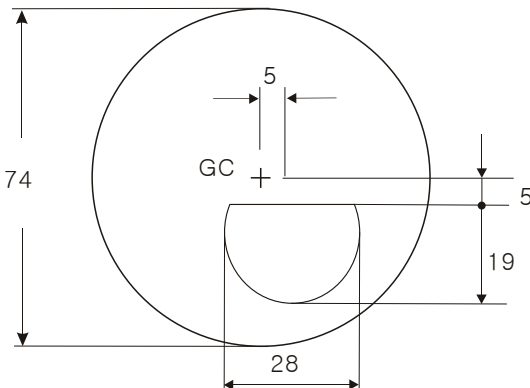


## Specifications

- Spherical Design
- MR-10 Material
- 1.67 Refractive Index
- 1.35 Specific Gravity
- 32 Abbe Value
- 100% UV Protection at 400nm
- Scratch Resistant Hardcoat

## SOMO Spherical Semi-Finished Flat-Top 28 1.67 Hardcoat

- Spherical Design
- Lightweight
- Scratch-Resistant Hardcoat
- UV Protection



BASE	SIZE (mm)	ADDS
1.00	74	+1.00 to +3.50 in quarter steps.
3.00	74	
5.00	74	
7.00	74	

## 1.60 Hi-Index Aspherical SFSV Hardcoat

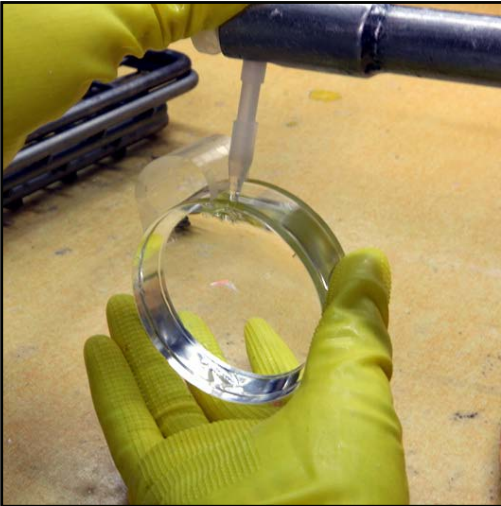


### Specifications

- Aspherical Design
- MR-8 Material
- 1.60 Refractive Index
- 1.30 Specific Gravity
- 42 Abbe Value
- 100% UV Protection at 400nm
- Scratch Resistant Hardcoat

### SOMO Aspherical Semi-Finished Single Vision 1.60 Hardcoat

- Hi-Index
- Scratch-resistant Coat



BASE	SIZE (mm)
0.50	70
2.25	70
4.25	70
6.25	70
8.25	70



## Specifications

- Spherical Design
- MR-8 Material
- 1.60 Refractive Index
- 1.30 Specific Gravity
- 42 Abbe Value
- 100% UV Protection at 400nm
- EXTRA THICK BLANKS

BC	C/T	E/T
0.50	12.5mm	20.0mm
1.25	9.0mm	16.0mm

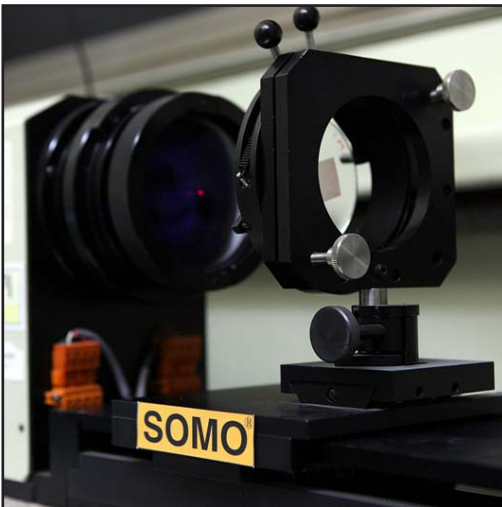
## Availability

- Non-coated
- Scratch-resistant Hard Coating

- **DESIGNED WITH TRUE CURVE SPECIFICATIONS FOR FREEFORM PROCESSING**

## SOMO Spherical Semi-Finished Single Vision 1.60 Hardcoat

- Hi-Index
- Scratch-resistant Coat



BASE	SIZE (mm)
0.50	73
1.25	73
2.25	73
3.25	73
4.25	73
5.25	73
6.25	73
7.25	73
8.25	73
9.25	70
10.25	70



## Specifications

- Aspherical Design
- 1.586 Refractive Index
- 1.20 Specific Gravity
- 31 Abbe Value
- 99.5% Visible Light Transmittance
- 100% UV Protection at 380nm
- Scratch Resistant Hardcoat

## SOMO Aspherical Semi-Finished Single Vision Polycarbonate Hardcoat

- Premium Polycarbonate Resin
- Super Tough Hardcoat



BASE	SIZE (mm)
0.50	72
2.75	72
3.75	72
4.25	72
5.25	72
6.25	72
8.25	72



## Specifications

- Spherical Design
  - 1.586 Refractive Index
  - 1.20 Specific Gravity
  - 31 Abbe Value
  - 99.5% Visible Light Transmittance
  - 100% UV Protection at 380nm
  - Scratch Resistant Hardcoat
- **DESIGNED WITH TRUE CURVE SPECIFICATIONS FOR FREEFORM PROCESSING**

## SOMO Spherical Semi-Finished Single Vision Polycarbonate Hardcoat

- Premium Polycarbonate Resin
- Scratch-resistant Coat



BASE	SIZE (mm)
0.50	72
2.75	72
3.75	72
4.25	72
5.25	72
6.25	72
8.25	72

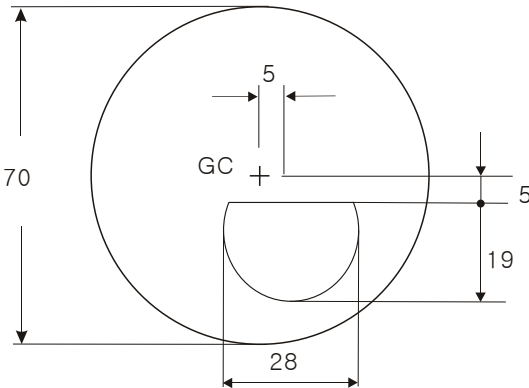


## Specifications

- Spherical Design
- 1.586 Refractive Index
- 1.20 Specific Gravity
- 31 Abbe Value
- 100% UV Protection at 380nm
- Scratch Resistant Hardcoat

## SOMO Spherical Semi-Finished Flat-Top 28 Polycarbonate Hardcoat

- Spherical Design
- Lightweight
- Impact Strength
- Ultra-Clear Polycarbonate Resin
- Scratch-Resistant Hardcoat
- UV Protection



BASE	SIZE (mm)	ADDS
2.00	70	+1.00 to +3.50 in quarter steps.
4.00	70	
6.00	70	
8.00	70	



## Specifications

- Aspherical Design
- 1.586 Refractive Index
- 1.20 Specific Gravity
- 31 Abbe Value
- 100% UV Protection at 380nm
- Scratch Resistant Hardcoat

## SOMO Aspherical Semi-Finished EZ-VIEW Standard Polycarbonate Progressive

- Aspherical Design in All Regions
- Wide Reading Zone is Comfortable in Near Zones
- Asymmetry Design Provides Minimum Distortions
- Multi-design was Developed into each Base Curve and Addition to provide Optimum Vision
- Minimal Distortion
- Wide Corrdior Design enabling fluid eye movement between focal zone
- Descentration is 2.5mm right or left from the GC
- Minimum Fitting Height: 20mm

BASE	SIZE (mm)	ADDS
3.50	75/80	+1.00 to +3.00 in quarter steps.
5.50	75/80	
7.50	75/80	





## Specifications

- Aspherical Design
- 1.586 Refractive Index
- 1.20 Specific Gravity
- 31 Abbe Value
- 100% UV Protection at 380nm
- Scratch Resistant Hardcoat

## SOMO Aspherical Semi-Finished EZ-VIEW Mini Polycarbonate Progressive

- Aspherical Design in All Regions
- Wide Reading Zone is Comfortable in Near Zones
- Asymmetry Design Provides Minimum Distortions
- Multi-design was Developed into each Base Curve and Addition to provide Optimum Vision
- Minimal Distortion
- Wide Corrdior Design enabling fluid eye movement between focal zone
- Descentration is 3.0mm right or left from the GC
- Minimum Fitting Height: 16mm

BASE	SIZE (mm)	ADDS
2.75	75/81	+1.00 to +3.00 in quarter steps.
4.75	75/81	
6.75	75/81	
7.75	75/81	



## Specifications

- Aspherical Design
- NK-55 Material
- 1.56 Refractive Index
- 1.28 Specific Gravity
- 38 Abbe Value
- 100% UV Protection at 400nm
- Scratch Resistant Hardcoat

## SOMO Aspherical Semi-Finished Single Vision 1.56 Hardcoat

- Mid-Index
- Impact Resistant Cushion Coat
- Super Tough Hardcoat



BASE	SIZE (mm)
0.50	73
2.00	73
4.00	73
6.00	73
8.00	73

## 1.56 Spherical SFSV Hardcoat



### Specifications

- Spherical Design
- NK-55 Material
- 1.56 Refractive Index
- 1.28 Specific Gravity
- 38 Abbe Value
- 100% UV Protection at 400nm
- Scratch Resistant Hardcoat

### SOMO Spherical Semi-Finished Single Vision 1.56 Hardcoat

- Mid-Index
- Impact Resistant Cushion Coat
- Super Tough Hardcoat



BASE	SIZE (mm)
0.50	73
2.00	73
4.00	73
6.00	73
8.00	73

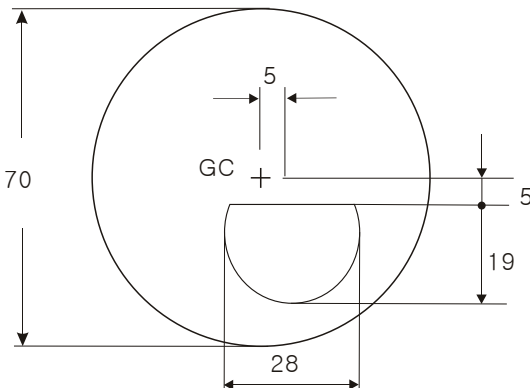


## Specifications

- Spherical Design
- 1.56 Refractive Index
- 1.28 Specific Gravity
- 38 Abbe Value
- 100% UV Protection at 400nm
- Scratch Resistant Hardcoat

## SOMO Spherical Semi-Finished Flat-Top 28 1.56 Hardcoat

- Mid-Index
- Best Value
- Lightweight
- Scratch-Resistant Hardcoat
- UV Protection



BASE	SIZE (mm)	ADDS
2.00	70	+1.00 to +3.50 in quarter steps.
4.00	70	
6.00	70	
8.00	70	



12135 Slauson Ave, Santa Fe Springs, CA 90670 | 866-585-7666