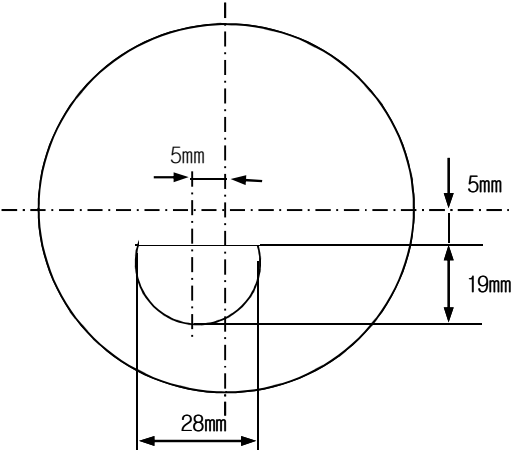


**TECHNICAL CHART**  
**1.67 SPHERICAL FLAT-TOP 28 SEMI H/C(MR-10)**



**74mm Diameter Lens Blank**

BASE	NOMINAL FRONT	TURE CURVE (Nd = 1.530)		RADIUS FRONT	SAG AT 50 (50mm)		THICKNESS (mm)		ADDS IN 0.25 STEPS	SEMENT PLACEMENT
		FRONT	BACK		FRONT	BACK	CENTER	EDGE		
1.00	1.00	0.99	6.00	535.354	0.58	3.61	8.0	15.5	1.00 to 3.50	5mm Down 5mm In
3.00	3.00	3.02	6.00	175.497	1.79	3.61	9.5	13.5		
5.00	5.00	5.05	6.00	104.950	3.02	3.61	11.5	12.5		
7.00	7.00	7.06	4.43	75.071	4.29	2.64	12.0	8.0		