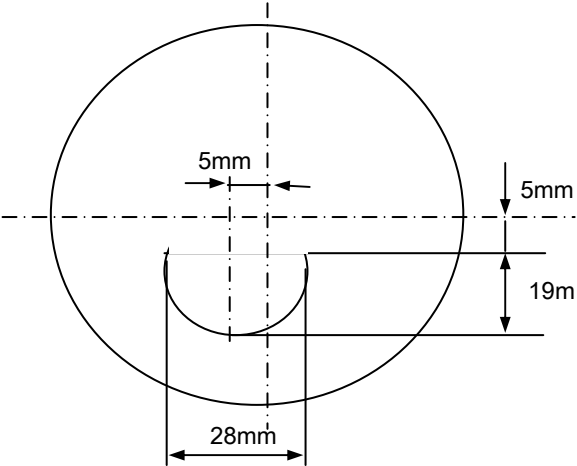


**TECHNICAL CHART**  
**1.56 SPHERICAL FLAT-TOP 28 SEMI H/C(GEN.3)**



**70mm Diameter Lens Blank**

BASE	NOMINAL	TURE CURVE (Nd = 1.530)		RADIUS	SAG AT 50 (50mm)		THICKNESS (mm)		ADDS IN 0.25 STEPS	SEMENT PLACEMENT
	FRONT	FRONT	BACK	FRONT	FRONT	BACK	CENTER	EDGE		
<b>2.00</b>	2.00	2.03	5.60	261.020	1.20	3.36	6.0	11.0	1.00 to 3.50	5mm Down  5mm In
<b>4.00</b>	4.00	3.97	5.60	133.600	2.36	3.36	7.5	9.0		
<b>6.00</b>	6.00	6.09	5.60	86.980	3.67	3.36	8.8	9.0		
<b>8.00</b>	8.00	8.11	5.60	65.360	4.97	3.36	9.5	7.0		